

DO YOU REALLY NEED RO WATER PURIFIER WHEN YOUR WATER IS SOFT ??



RO water purifier may destroy the qualities of your natural soft water as it will bring down the TDS & PH



**Bacteria free/ Healthy water
Magnetized water provided by
a patented device**

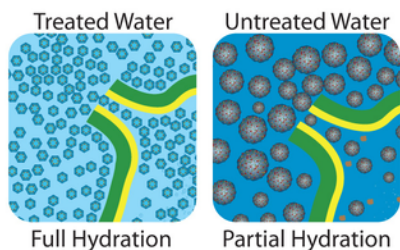


Welcome to the world of latest technology magnetized water filters for soft water

Benefits of Magnetizer

Health Benefits

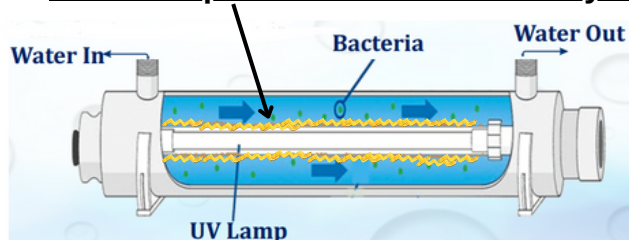
Water is passed through a specially designed patented device containing magnets where in the physical properties and crystal structure of water are changed and such magnetically treated water is better hydrated and well absorbed in the body.



Scale free UV tube

Water passing through the magnetizer becomes physically 'soft' through the formation of aragonite crystals which are very fine particles and cannot form scale. Normally in case of all UV purifiers there is a scale formation on the quartz tube which prevents UV rays from penetrating to target the bacteria to be killed. But in case of treated magnetic water passing through UV systems there will be no scale formation and the UV rays would be able to kill bacteria.

Scale on quartz tube blocks UV rays



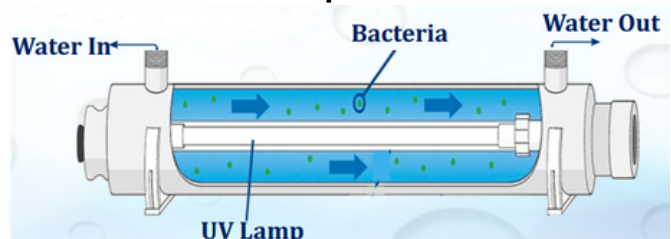
Water boils faster

Water boils faster in the case of magnetic water due to changes in the physical properties of water.

Bacteria free water

Eco Crystal water purifier bacteria is killed by UV or removed by UF.

Scale free quartz tube



Eco Crystal water purifiers for soft water.....

Model: Aqua Archimedes

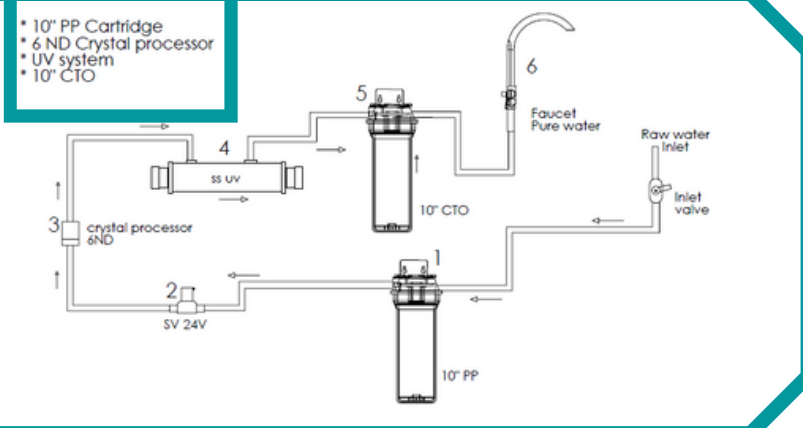


FEATURES

- Magnetized pure water
- Better hydration for the body
- Suitable for soft water
- Wall mounted or under the sink
- Scale free quartz tube for better UV treatment
- Self service

Dimension

(L x W x H): 330 x 175 x 435 mm



Model: Magnapure

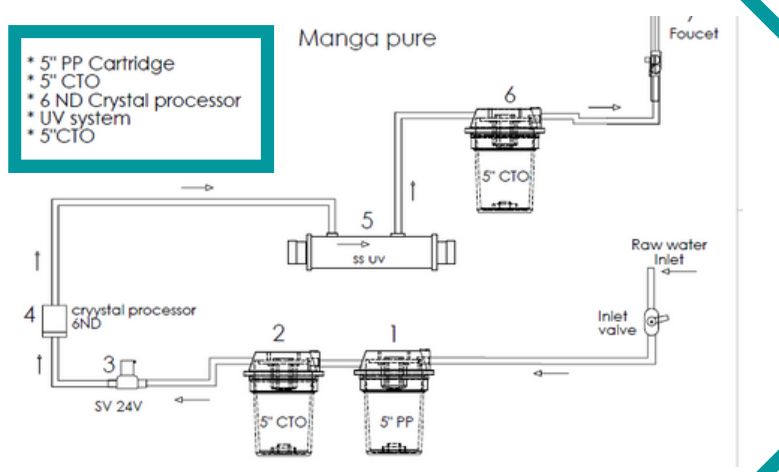


FEATURES

- Magnetized pure water
- Better hydration for the body
- Suitable for soft water
- Self service model
- Bacteria killed by UV

Dimension

(L x W x H): 373 x 235 x 350 mm



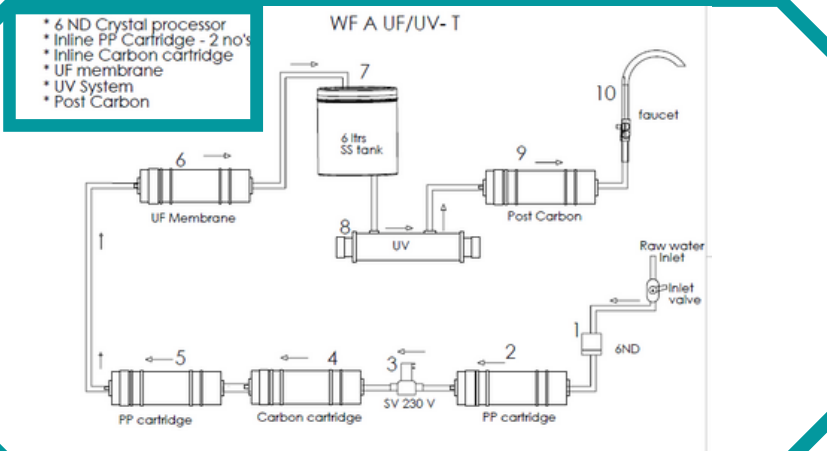
Model : WFA UV/UF -T

FEATURES :

- Fire resistance Alluminum Body
- Magnetized pure water
- Better hydration for the body
- Suitable for soft water
- 6ltrs stainless steel storage tank
- UV after tank for pure and fresh water.

Dimension

(L x W x H): 410 x 320 x 450 mm



Model: Crystal power

FEATURES :

- Compact water filter for soft water
- Magnetized pure water
- Better hydration for the body
- Scale free quartz tube for better UV treatment

Dimension

(L x W x H): 170 x 155 x 430 mm

